



## SUBMITTAL DATA SHEET

Ceiling&Floor Heat Pump System	ACiQ-60ZPL-HP230B/ ACiQ-60FM-HH-MB
Location: _____	Approval: _____
Engineer: _____	Date: _____
Submitted to: _____	Construction: _____
Submitted by: _____	Unit #: _____
Reference: _____	Drawing #: _____

<b>Set Code</b>	22022710003836
Indoor unit code	22022711002236
Outdoor unit code	22023016003371
<b>Set Model</b>	
Indoor unit model	ACiQ-60FM-HH-MB
Outdoor unit model	ACiQ-60ZPL-HP230B
<b>Certified</b>	<div style="display: flex; align-items: center; gap: 10px;"> <div style="text-align: center;"> <p>AHRI</p> </div> <div style="text-align: center;"> <p>CSA</p> </div> </div>

SYSTEM PERFORMANCE DATA		
<b>Power supply</b>		
Normal Operational Voltage	(V, Ph, Hz)	208/230V, 1Ph, 60Hz
Voltage Range	(V)	187-253
<b>Electrical</b>		
Minimum circuit ampacity(Outdoor)	(A)	47.0
Max.fuse(Outdoor)	(A)	60.0
Connection wiring		14AWG*2 Stranded, shielded
<b>Cooling</b>		
Capacity	(Btu/h)	55000(20000~55000)
Power Input	(W)	6100(2000~6100)
Current	(A)	27(9~27)
SEER2	(Btu/W)	17.3
EER2	(Btu/W)	9.0
<b>Heating</b>		
Capacity	(Btu/h)	60000(10200~62000)
Power Input	(W)	5900(630~6000)
Current	(A)	26(3~26.5)
HSPF2-4	(Btu/W)	10.2
HSPF2-5	(Btu/W)	8.4
COP	W/W	2.98
Heat at 17F(H32)	(Btu/h)	40000
Heat at 5F(H42)	(Btu/h)	56500
COP at 5F(H42)	W/W	1.97

INDOOR UNIT DATA		
<b>Indoor fan motor</b>		
Model		ZKFN-160-8-1-2
Qty		1
Input	(W)	/
Output	(W)	160.0
RLA	(A)	2.40
Speed(Hi/Mi/Lo)	(r/min)	1350/1050/850
<b>Air flow &amp; Noise level</b>		
Indoor air flow (Hi/Med/Lo) (No duct)	(CFM)	//1384.12/1028.82/795.29
Indoor noise level (Hi/Med/Lo)	[dB(A)]	54/47/44
<b>Dehumidification</b>	(L/H)	7.57/7.67
<b>Indoor unit</b>		
Dimension (WxDxH)	(inch)	64.96x26.57x9.25
	(mm)	1650x675x235
Packing(WxDxH)	(inch)	67.91x29.72x12.52
	(mm)	1725x755x318
Net/Gross weight	(lbs.)	96.56/111.99
	(kg)	43.8/50.8

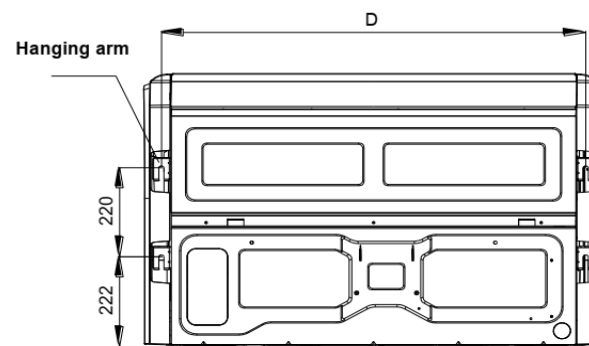
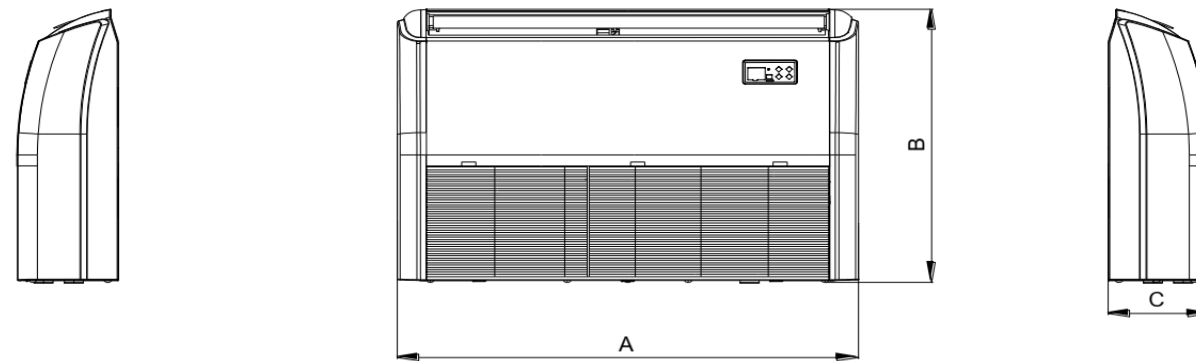
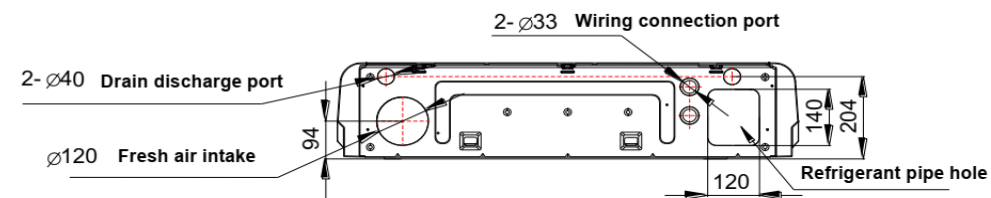
REFRIGERANT PIPE DATA		
Throttle type	Indoor unit	N/A
	Outdoor unit	EXV+Throttle valve
Design pressure	(PSIG)	550/340
Refrigerant Type		R410A
Refrigerant charge	oz	169.32
	(ft)	25.0
Refrigerant precharge	(m)	7.5
Additional charge for each ft	(oz/ft)	0.32
Additional charge for each m	(g/m)	30.0
Liquid side/ Gas side(indoor)	(inch)	3/8"/3/4"
	(mm)	9.52/19
Liquid side/ Gas side(outdoor)	(inch)	3/8"/7/8"
	(mm)	9.52/22
Max. pipe length	(ft)	213.3

OUTDOOR UNIT DATA		
<b>Compressor</b>		
Type		ROTARY
Model		EAPQ440D1UMUA
Brand		GMCC
Capacity	(Btu/h)	46335
Input	(W)	3770
Rated current (RLA)	(A)	33.5
Refrigerant oil/oil charge	(ml)	POE.VG75/1300
<b>Outdoor fan motor</b>		
Model		ZKFN-85-8-22-5
Qty		2
Input	(W)	126.00
Output	(W)	85.00
RLA	(A)	1.50
Speed	(r/min)	850/700
<b>Air flow &amp; Noise level</b>		
Outdoor air flow (Max.)	(CFM)	4235.3

Max. pipe length	(m)	65.0
	(ft)	98.4
Max. difference in level	(m)	30.0
Connection method		Flared
Indoor(cooling)	(Deg. °F)	62~90
	(Deg. °C)	17~32
Indoor(heating)	(Deg. °F)	32~86
	(Deg. °C)	0~30
Outdoor(cooling)	(Deg. °F)	5~122
	(Deg. °C)	-15~50
Outdoor(heating)	(Deg. °F)	-22~75
	(Deg. °C)	-30~24

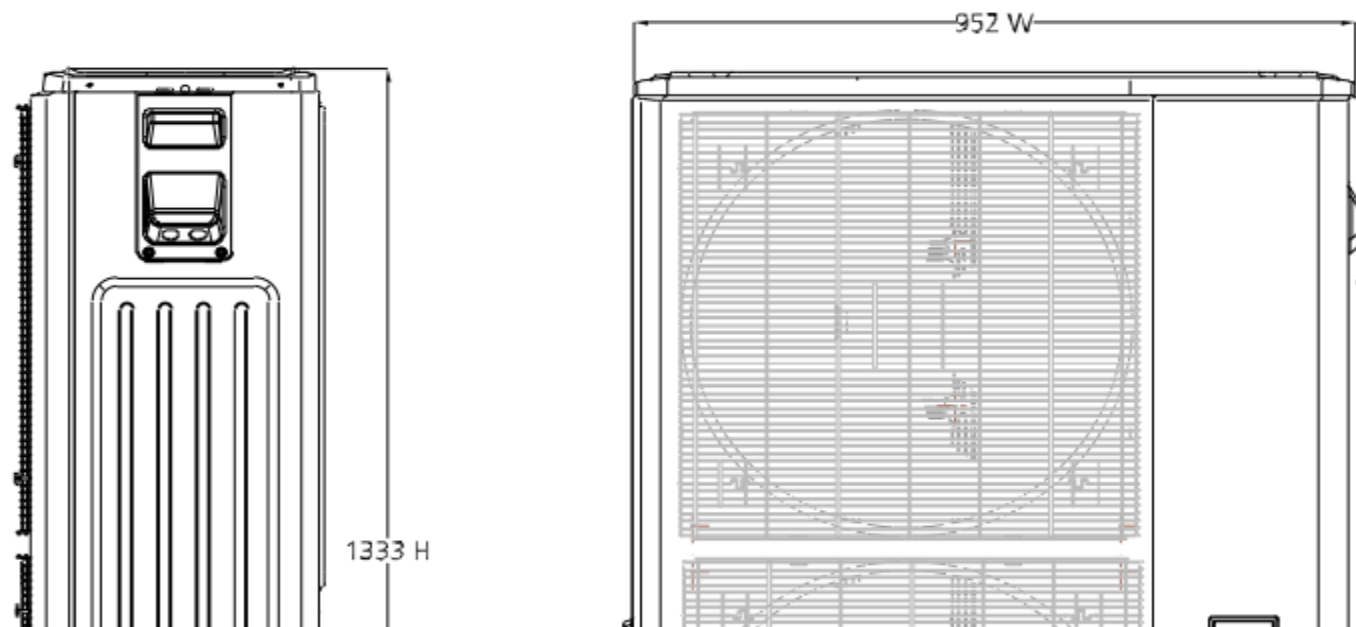
Outdoor noise level	[dB(A)]	61.0
<b>Outdoor unit</b>		
Dimension (W×D×H)	(inch)	37.48x16.34x52.48
	(mm)	952x415x1333
Packing (W×D×H)	(inch)	43.11x19.49x58.27
	(mm)	1095x495x1480
Net/ Gross weight	(lbs.)	240.74/271.61
	(kg)	109.2/123.2
<b>Accessories</b>		
Adaptor (7/8" to 3/4")	Qty	1

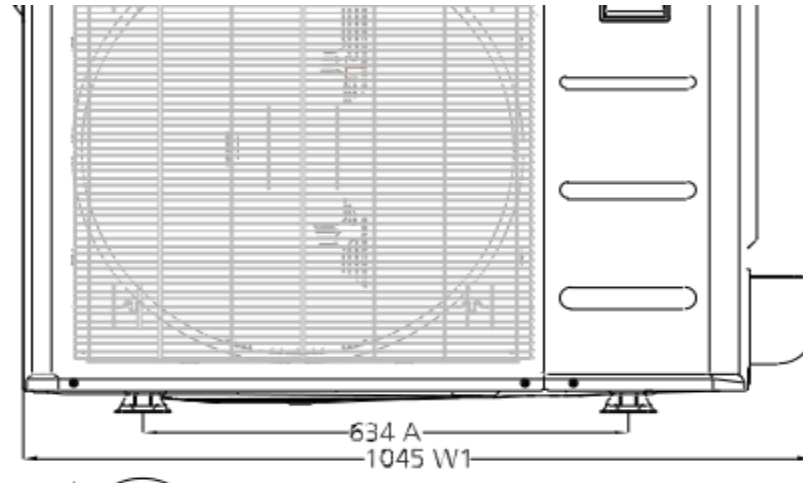
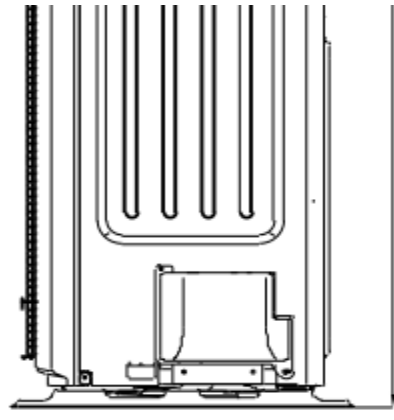
### Indoor unit dimension



Capacity (Btu/h)	Unit	A	B	C	D
18K / 24K	mm	1068	675	235	983
	inch	42.05	26.57	9.25	38.70
36K	mm	1285	675	235	1200
	inch	50.59	26.57	9.25	47.24
48K/60K	mm	1650	675	235	1565
	inch	64.96	26.57	9.25	61.61

### Outdoor unit dimension





DETAIL A  
SCALE 1:2

